



BOURDON
The Original by Baumer



Main Features

- For corrosive gasses and liquids
- Grade 2A (ASME B40.1)
- Solid front gauge
- Wetted parts Stainless steel (MPG/MPE) or Monel (MPJ/MPF)
- Case material Polypropylene (MPG/MPJ) or Phenolic (MPE/MPF) for aggressive atmosphere and harsh environment
- Option: liquid filled for applications with pulsations or vibrations

Applications

- Oil & Gas / Chemical
- Water & Waste water
- Energy

Technical Data

Nominal size	130 mm (4" ½)	Bezel ring	Polypropylene
Measurement range	MPE/MPF/MPJ : -1 ... 0 to 0 ... 600 bar MPG : -1 ... 0 to 0 ... 1600 bar	Movement	Stainless steel
Pressure limitation		Window	Laminated safety glass
Ranges ≤ 600 bar	Steady : 100% of full scale value Fluctuating : 90% of full scale value Short time : 130% of full scale value	Window gasket	Elastomer
Ranges > 600 bar	Steady : 75% of full scale value Fluctuating : 65% of full scale value Short time : 100% of full scale value	Dial	Aluminium, white
Accuracy	Grade 2A (according ASME B40.1, ± 0.5%)	Pointer	Aluminium, black Adjustable micro metric pointer (P ≥ 1.6 bar)
Protection rating	IP 67 (EN 60529)	Temperature	Ambient : -20 ... +70°C Medium : -40 ... +200°C (not filled) For liquid filled version see ordering details. The case temperature must not exceed +70°C Storage : -40 ... +70°C
Process Connection	MPG/MPE : Stainless steel 1.4404 (AISI 316L) MPJ/MPF : Monel 400	Thermal drift	± 0.4% F.S. / 10 K (reference : 20°C)
Bourdon tube	MPG/MPE : Stainless steel 1.4404 (AISI 316L) MPJ/MPF : Monel 400	Safety	Solid front gauge with baffle wall and blow-out back. Fulfills the requirements of S3 safety gauges according to EN 837-1
Case	MPG/MPJ : Polypropylene MPE/MPF : Phenolic		

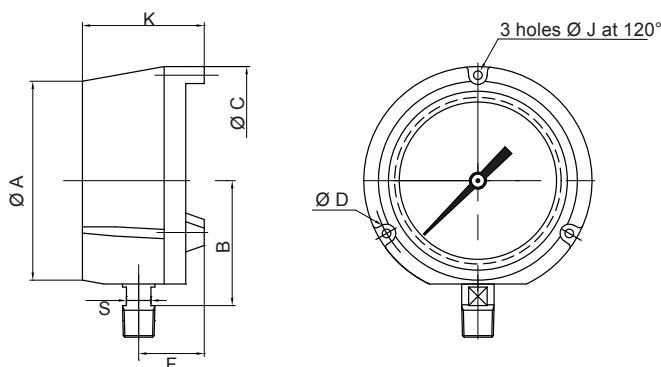
Options

Anti-vibration dampening movement (Grade 1A, ± 1%)	Code 0655
Oxygen application	Code 0765
Restrictor screw Ø 0.5	Code 0771
Stainless steel 1.4404 (AISI 316L) solid drawn Bourdon tube (MPG-MPE)	Code 0816

To be ordered separately

Material certificate 3.1 EN10204	Code Q1229
Calibration certificate EN837-1 (5 points raising and 5 points falling)	Code Q1070

Dimensions - Types of mounting



Weight (kg)	Not filled	Filled
MPE/MPF	0.90	1.50
MPG/MPJ	0.68	1.30

Type MPG/MPJ

mm	A	B	C	D	F*	J	K*	S
NS 130	129	102	148	137	38	5.6	73	15.9
4" 1/2	5"5/64	4"1/64	5"53/64	5"25/64	1"1/2	7/32	2"7/8	5/8

Type MPE/MPF* (Option : phenolic case)

mm	F*	K*
NS 130	42.5	79
4" 1/2	1"43/64	3"7/64

Pressure ranges

Code	Bar	Code	kPa	Code	kg/cm ²	Code	psi
C59	-1 ... 0 ³⁾	D59	-100 ... 0 ³⁾	F59	-1 ... 0 ³⁾	H59	-30" Hg ... 0 ³⁾
C72	-1 ... 0.6	D72	-100 ... 60	F72	-1 ... 0.6	H73	-30" Hg ... 15
C74	-1 ... 1.5	D74	-100 ... 150	F74	-1 ... 1.5	H75	-30" Hg ... 30
C76	-1 ... 3	D76	-100 ... 300	F76	-1 ... 3	H2C	-30" Hg ... 60
C77	-1 ... 5	D77	-100 ... 500	F77	-1 ... 5	H78	-30" Hg ... 100
C79	-1 ... 9	D79	-100 ... 900	F79	-1 ... 9	H79	-30" Hg ... 150
C81	-1 ... 15	D81	-100 ... 1 500	F81	-1 ... 15	H81	-30" Hg ... 220
C82	-1 ... 24	D82	-100 ... 2 400	F82	-1 ... 24	H82	-30" Hg ... 300
C12	0 ... 0.6 ²⁾	D12	0 ... 60 ²⁾	F12	0 ... 0.6 ²⁾	H13	0 ... 10 ²⁾
C15	0 ... 1 ³⁾	D15	0 ... 100 ³⁾	F15	0 ... 1 ³⁾	H15	0 ... 15 ³⁾
C16	0 ... 1.6	D16	0 ... 160	F16	0 ... 1.6	H1C	0 ... 20
C18	0 ... 2.5	D18	0 ... 250	F18	0 ... 2.5	H17	0 ... 30
C19	0 ... 4	D19	0 ... 400	F19	0 ... 4	H19	0 ... 60
C20	0 ... 6	D20	0 ... 600	F20	0 ... 6	H21	0 ... 100
C22	0 ... 10	D22	0 ... 1 000	F22	0 ... 10	H22	0 ... 160
C24	0 ... 16	D24	0 ... 1 600	F24	0 ... 16	H23	0 ... 200
C26	0 ... 25	D26	0 ... 2 500	F26	0 ... 25	H25	0 ... 300
C27	0 ... 40	D27	0 ... 4 000	F27	0 ... 40	H26	0 ... 400
C29	0 ... 60	D29	0 ... 6 000	F29	0 ... 60	H27	0 ... 600
C31	0 ... 100	D31	0 ... 10 000	F31	0 ... 100	H30	0 ... 1 000
C33	0 ... 160	D33	0 ... 16 000	F33	0 ... 160	H31	0 ... 1 500
C35	0 ... 250	D35	0 ... 25 000	F35	0 ... 250	H34	0 ... 3 000
C38	0 ... 400	D38	0 ... 40 000	F38	0 ... 400	H38	0 ... 6 000
C39	0 ... 600	D39	0 ... 60 000	F39	0 ... 600	H40	0 ... 10 000
C41	0 ... 1 000 ¹⁾	D41	0 ... 100 000 ¹⁾	F41	0 ... 1 000 ¹⁾	H41	0 ... 15 000 ¹⁾
C42	0 ... 1 600 ¹⁾	D42	0 ... 160 000 ¹⁾	F42	0 ... 1 600 ¹⁾	H1D	0 ... 20 000 ¹⁾

¹⁾ Not available for types MPE, MPF and MPJ

²⁾ Grade 1A (dry) and B (with filling), not available with filling BH2

³⁾ Grade 1A for gauges with filling

Ordering details MPG6-MPJ6-MPE6-MPF6

	6	-			.	xxx	/
Model							
Polypropylene case / Stainless steel bourdon tube	MPG						
Polypropylene case / Monel bourdon tube	MPJ						
Phenolic case / Stainless steel bourdon tube	MPE						
Phenolic case / Monel bourdon tube	MPF						
Nominal size							
130 mm (4" 1/2)	6						
Type of mounting							
Bottom connection, 3 back lugs fixing						A	
Bottom connection						D	
Process connection							
G 1/2						3	
1/2 NPT						6	
Liquid filling							
Dry						0	
BH1: low viscosity glycerin/water 86% (medium : -20 ... +70°C)						1	
BH2: high viscosity glycerin 99.5% (medium : 0 ... +90°C)						2	
BH3: silicone oil (medium : -40 ... +100°C)						3	
BH4: silicone oil (medium : -60 ... +100°C)						4	
BH5: fluor carbon for oxygene use (160 bar max.) (-15 ... +100°C)						5	
Unit of measurement / Pressure ranges ⁽⁴⁾							
bar							Cxx
kPa							Dxx
kg/cm ²							Fxx
psi							Hxx
psi/bar							Sxx
psi / kg/cm ²							Uxx
psi/kPa							Vxx
Options to be added behind the / (see example below)							

(▶ Standard version)

⁽⁴⁾ Available standard pressures ranges, see tables on page 2. For ranges not listed, please contact Baumer.

Ordering example with options

	MPG	6	-	A	3	0	.	C22	/	0655	-	0765	-	0771
Polypropylene / Stainless steel	MPG	6	-	A	3	0	.	C22	/	0655	-	0765	-	0771
Nominal size 130 mm		6												
Bottom connection, 3 back lugs fixing			-	A										
Process connection G1/2					3									
No liquid filling						0	.							
Scale bar : 0 ... 10 bar								C22	/					
Option : Anti-vibration dampening movement										0655	-			
Option : Oxygen application												0765	-	
Option : Restrictor screw Ø 0.5														0771