

Main Features

- Cooling adapters, hunting horn siphons, U-type siphons
- Steel and stainless steel
- Max. 400 °C
- Max. 400 bar

Applications

- Oil & Gas / Chemical
- Water & Waste water
- Energy
- Machinery

Description

Siphons are used to protect measuring instruments from high temperatures. Hunting horn and U-type siphons are especially recommended for steam applications.

Cooling adapters (ASIP-D) can also be used between diaphragm seals and measuring instruments.

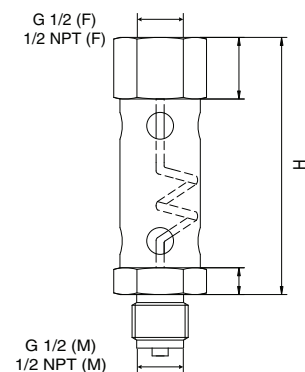
The pressure / temperature rating is according to DIN 16282 or ANSI B36.10 (schedule 40, 80 or 160).

Maximum operating pressure

	Max. pressure (bar)				
	Tube	80 °C	120 °C	300 °C	400 °C
DIN 16282	14.8 x 20	100	100	80	63
Schedule 40	9 x 12	250	160	100	80
Schedule 80	13.9 x 21	300	300	160	100
Schedule 160	11.8 x 21	400	400	250	160

Cooling adapters

		-	x	x	xx
Model	Siphon	ASIP			
Type of siphon	Cooling adapter		D		
Max. temperature	Max. 220 °C			1	
	Max. 400 °C			2	
Connections	G 1/2 (M) - G 1/2 (F)				L3
	1/2 NPT (M) - 1/2 NPT (F)				N6

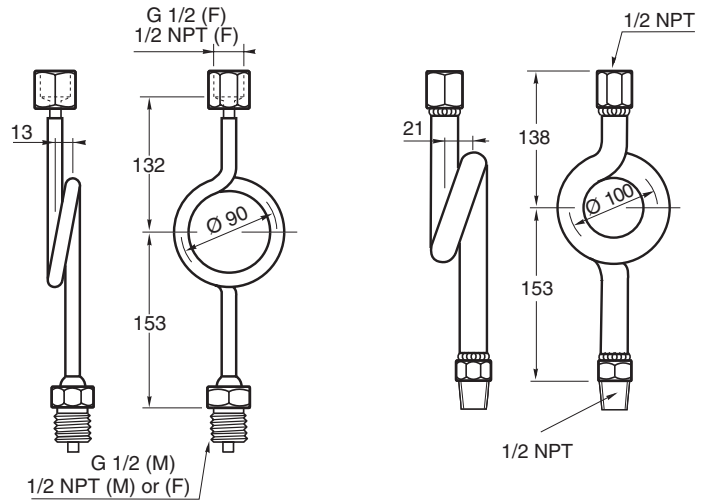


Version	Material	Instrument connection	Process connection	Ordering code	Article number
Max. 220 °C	Stainless steel 1.4404 (316L) / 1.4571 (316Ti)	G 1/2 (F)	G 1/2 (M)	ASIP-D1L3	10265212
		1/2 NPT (F)	1/2 NPT (M)	ASIP-D1N6	10265213
Max. 400 °C		G 1/2 (F)	G 1/2 (M)	ASIP-D2L3	10265215
		1/2 NPT (F)	1/2 NPT (M)	ASIP-D2N6	10265216

Hunting horn siphons

Baumer standard

		-	x	xx	x	xx
Model						
Siphon	ASIP					
Material						
Stainless steel 1.4404 (316L)			2			
Instrument connection						
G 1/2 Swiveling nut				F5		
G 1/2 fixed female thread				0L		
1/2 NPT fixed female thread				0N		
G 1/2 fixed male thread				03		
1/2 NPT fixed male thread				06		
Process connection						
G 1/2 fixed female thread					L	
1/2 NPT fixed female thread					N	
G 1/2 fixed male thread					3	
1/2 NPT fixed male thread					6	
Pressure rating						
Schedule 40						04
Schedule 80						08
Schedule 160						16

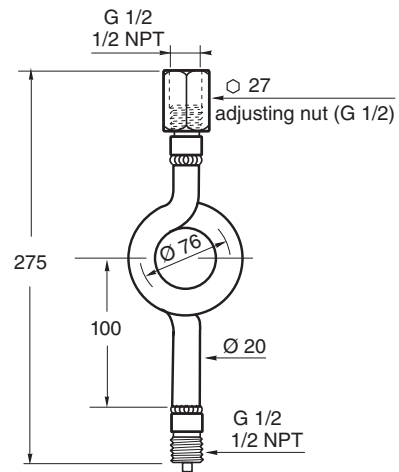


Schedule 40, 80

Schedule 160

DIN 16282

		-	x	xx	x	xx
Model						
Siphon	ASIP					
Material						
Steel 1.0345			1			
Instrument connection						
G 1/2 Adjusting nut				F7		
1/2 NPT fixed female thread				0N		
Process connection						
G 1/2 fixed male thread					3	
1/2 NPT fixed male thread					6	
Pressure rating						
DIN 16282						0A



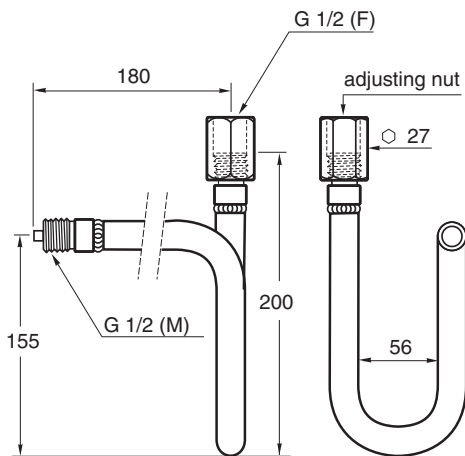
Version	Material	Instrument connection	Process connection	Ordering code	Article number
Schedule 40	Stainless steel 1.4404 (316L)	G 1/2 (F) ⁽¹⁾	G 1/2 (M)	ASIP-2F5304	11012634
		1/2 NPT (F)	1/2 NPT (M)	ASIP-20N604	10265202
		1/2 NPT (M)	1/2 NPT (M)	ASIP-206604	10265192
		1/2 NPT (F)	1/2 NPT (F)	ASIP-20NN04	10265206
Schedule 80		1/2 NPT (F)	1/2 NPT (M)	ASIP-20N608	10265203
		1/2 NPT (M)	1/2 NPT (M)	ASIP-206608	10265193
Schedule 160		1/2 NPT (F)	1/2 NPT (M)	ASIP-20N616	10265205
		1/2 NPT (M)	1/2 NPT (M)	ASIP-206616	11124946
DIN 16282, type C	Steel 1.0345	G 1/2 (F) ⁽²⁾	G 1/2 (M)	ASIP-1F730A	10265188
		1/2 NPT (F)	1/2 NPT (M)	ASIP-10N60A	10265186

⁽¹⁾ Swiveling nut

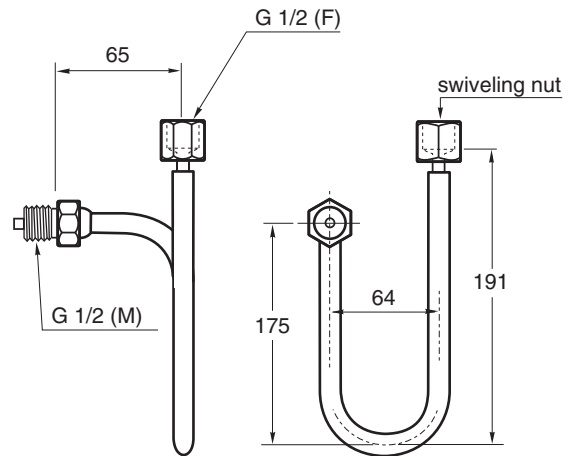
⁽²⁾ Adjusting nut

U-Type siphons

	-	x	x
Model	ASIP		
Siphon			
Type of siphon	U		
U-type			
Version			
DIN 16282, G 1/2 (F) - G 1/2 (M)	1		
Schedule 40, Stainless steel, G 1/2 (F) - G 1/2 (M)	2		



DIN 16282



Schedule 40

Version	Material	Instrument connection	Process connection	Ordering code	Article number
DIN 16282, type C	Steel 1.0345	G 1/2 (F) ⁽¹⁾	G 1/2 (M)	ASIP-U1	10265217
Schedule 40	Stainless steel 1.4404 (316L)	G 1/2 (F) ⁽²⁾	G 1/2 (M)	ASIP-U2	10265218

⁽¹⁾ Adjusting nut

⁽²⁾ Swiveling nut