



Special Features

- All AISI 316 SS construction
- Light weight
- Economical
- Ideal choice for high pressure
- The diaphragm is welded to the body to ensure separation of the filling fluid from the process medium

Application

- Diaphragm seals are designed to isolate the sensing element of pressure gauges and pressure switches from process fluids that they may be corrosive, viscous, sedimentous and / or with a high temperature



GOST

Specifications

Standard Version

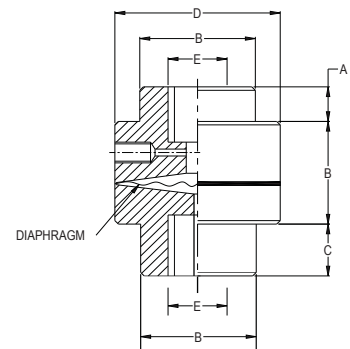
(Compatible models : AC, AE, AH, AI, AL, AQ, BA, BE, BI, BJ, BQ & BT)

Seal type & Range	: S11 = -1 kg/cm ² to 0 & 0 to 4 kg/cm ² (Standard)
	: S12 = 6 kg/cm ² to 70 kg/cm ²
	: S13 = 100 kg/cm ² to 400 kg/cm ²
	: S14 = 250 kg/cm ² to 600 kg/cm ²
Process temperature	: - 40 °C to 200 °C or as per fill fluid
Instrument connection	: 1/2" BSP (F)
	: 1/4" BSP (F) for type S14
Process connection	: 1/2" BSP (M)
	: 1/4" BSP (F) for type S14
Fill fluid	: Silicon Oil - DC 200
Mounting	: Direct (without capillary)

Diaphragm	: AISI 316L SS
Body	: AISI 316 SS

Dimensions - Standard Version

TYPE "S14"

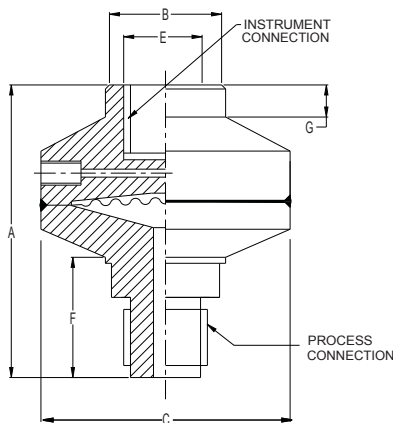


A	B	C	D	E	Approx. Wt.#
10	30	10	34	1/4" BSP(F)	350.0

(# Weight in grams with box for Standard Model.)

Dimensions - Standard Version

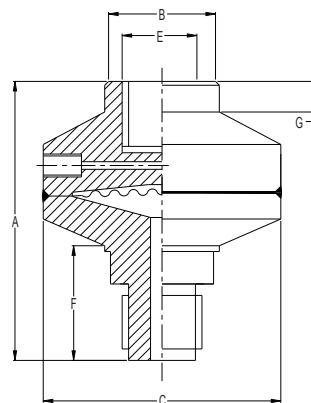
TYPE "S11"



A	B	C	E	F	G	Approx. Wt.#
73	30	62	1/2"BSP(F)	30	8	700.0

(# Weight in grams with box for Standard Model.)

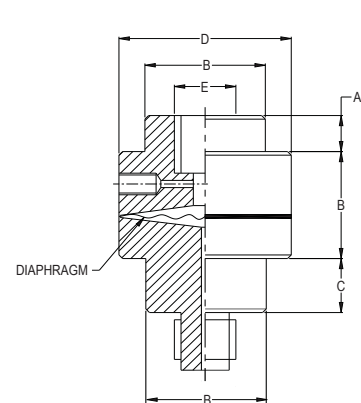
TYPE "S12"



A	B	C	E	F	G	Approx. Wt.#
68.5	30	53	1/2"BSP(F)	35	8	600.0

(# Weight in grams with box for Standard Model.)

TYPE "S13"



A	B	C	D	E	Approx. Wt.#
10	22	15	46.5	1/2"BSP(F)	400.0

(# Weight in grams with box for Standard Model.)

How to Order				
Basic Model				DG
Code				
Optional Extras				XXX
[It is recommended that the MOC of Diaphragm should be equivalent.]				
SEAL TYPE				XXX
S11	1 kg/cm ² to 0 & 0 to 4 kg/cm ² (Standard)	S13	100 kg/cm ² to 400 kg/cm ²	
S12	6 kg/cm ² to 70 kg/cm ²	S14	250 kg/cm ² to 600 kg/cm ²	
Instrument Connection (*For seal type S14)				XX
VN	1/4" BSP(F) (Standard)*	VP	3/8" BSP (F)	
VO	1/4" NPT (F)	VL	1/2" BSP (F) (Standard)	
		VM	1/2" NPT (F)	
Top Chamber				XX
CL	AISI 316 SS (Standard)	CM	AISI 316L SS	
		XW	AISI 304 SS	
Diaphragm				XX
UJ	AISI 316L (Standard)			
Bottom Chamber				XX
TM	AISI 316 SS (Standard)	TL	AISI 316L SS	
		TT	Hastelloy 'C'	
		TX	MONEL	
Process Connection (*For seal type S14)				XX
WE	1/4" BSP(F) (Standard)*	WI	1/4" NPT (F)	
WC	3/8" BSP(F)	WH	1/2" NPT (F)	
WD	1/2" BSP(F)	WY	1/4" NPT(M)	
		WA	1/2" NPT(M)	
		WS	1/4" BSP(M)	
		WT	3/8" BSP(M)	
		WU	1/2" BSP(M) (Standard)	
Note : Connections like Metric, PT/ PF/ Flaired / UNF/ G/ R etc can be provided on request.				
Filling Fluids (* Consult Factory For Specifications, Price And Delivery.)				XX
US	Fluorolube 4.2 [-45 to 175 °C]	UY	Silicon DC 704 [10 to 337 °C]	
UT	Fluorolube 6.3 [-40 to 235 °C]	UZ	Silicon DC 710 [7 to 371 °C]	
UU	Fluorolube FS-5 [-28 to 148 °C]	VA	Syltherm 800 [-40 to 315 °C]	
UV	Food Grade OIL [-20 to 140 °C]	VB	Syltherm XLT [-100 to 260 °C]	
UX	Silicon Dc 200 [-40 to 205 °C] (Standard)	VC	Halocarbon OIL*	
Remote Mounting (with Capillary Of Max. Up To 2 Mtrs.)				3Mtr.
Specify In Meters (e.g. 1.5 = 1.5 METERS 2.0 = 2 METERS)				
Capillary				XX
PE	AISI 304 SS	PG	AISI 316 SS	
Capillary Covered With Armour (Applicable with PE or PG if selected)				XX
PF	AISI 304 SS	PH	AISI 316 SS	
		PI	PVC (Ambient Temp. Max. 60°C)	
Other Options				XX
TB	Helium Leak Test	TC	Dry Seal Only Without Instrument	
		GH	Material Test Certificates*	

* Material Test Certificates Will Be Provided For Wetted Parts Only With Chemical Composition Testing. For Others, Please Consult Factory.

Ordering Example: DG . XXX . XX . XX . XX . XX . XX . 3Mtr. . XX . XX . XX

For other optional items, please contact factory for delivery and minimum quantity of order.

Note : Specifications and dimensions given in this product catalogue represents the state of engineering at the time of printing. Modifications may take place and materials specified may be replaced by others without prior notice.